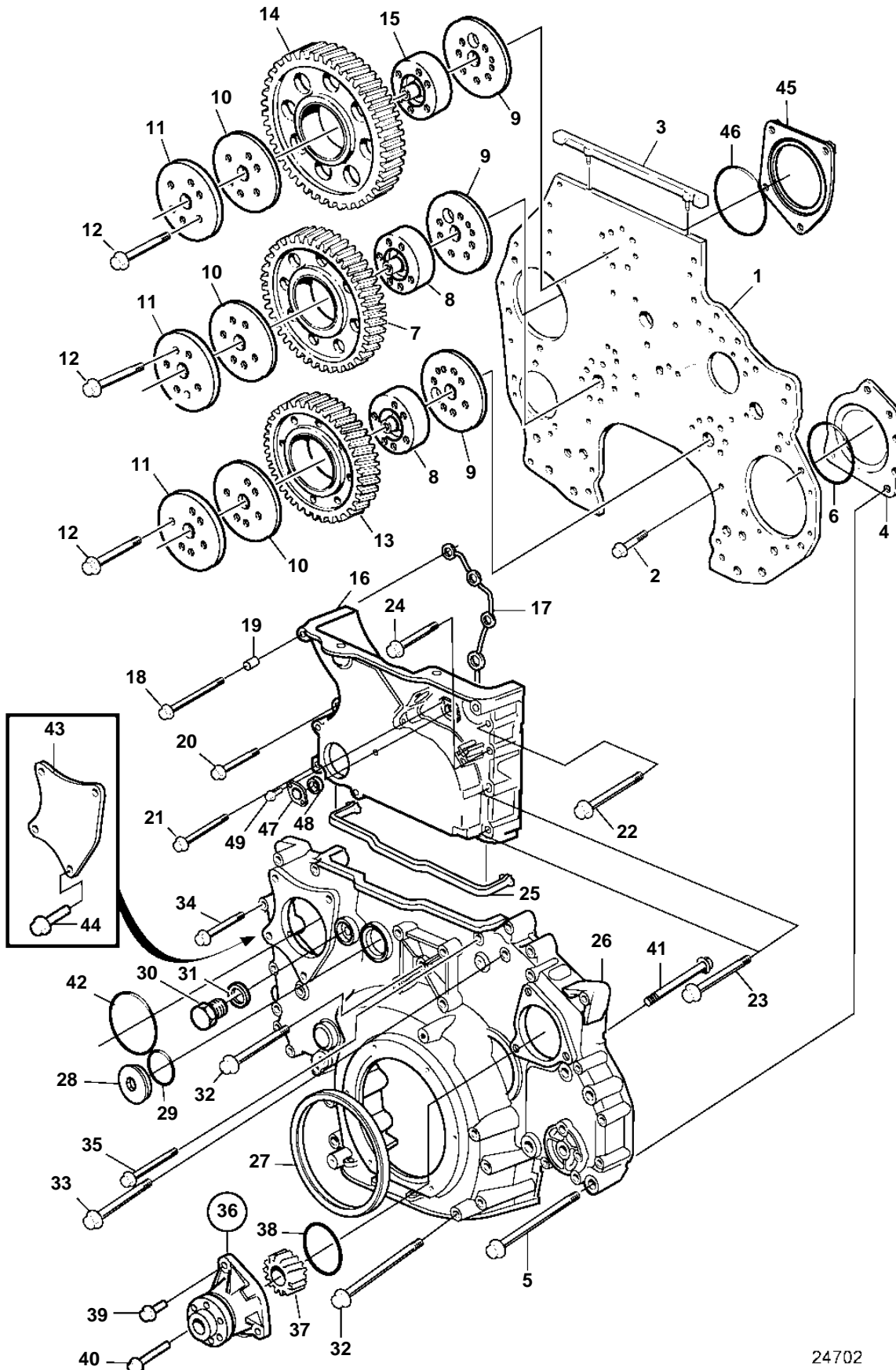


D12D-A MH, D12D-B MH, D12D-C MH, D12D-E MH, D12D-G MH, D12C-A MP, D12D-A MP, D12D-B MP, D12D-C MP, D12D-D MP, D12D-E MP, D12D-F MP



24702

D12D-A MH, D12D-B MH, D12D-C MH, D12D-E MH, D12D-G MH, D12C-A MP, D12D-A MP, D12D-B MP, D12D-C MP, D12D-D MP, D12D-E MP, D12D-F MP

REF	PART NO.	QTY	DESCRIPTION	SEE SEC.	NOTES
1	8170561	1	Timing gear plate		Replaced by 21383522
	21383522	1	Timing gear plate		
2	471586	17	Screw		L=38mm
3	20489341	1	Sealing strip		(8170473)
4	3828662	1	Cardboard tube		For engines in with keel cooling.
5	946473	4	Flange screw		For cover 3828662., L=90mm
6	949736	1	O-ring		
7	8170193	1	Idler gear		
8	8170219	2	Hub		
9	8170220	3	Thrust washer		
10	3184865	3	Thrust washer		
11	3184868	3	Bearing shield		
12	1547886	18	Screw		
13	8170195	1	Idler gear		
14	8170197	1	Idler gear		
15	8170199	1	Hub		
16	20512768	1	Timing gear cover		Replaced by 20713791
	20713791	1	Timing gear cover		
17	3830184	1	Sealing		
18	968999	1	Flange screw		L=130mm
19	843075	1	Spacer sleeve		
20	965182	3	Flange screw		L=80mm
21	965183	1	Flange screw		L=90mm
22	965190	1	Flange screw		L=100mm
23	947790	2	Flange screw		L=80mm
24	965223	1	Flange screw		L=75mm
25	20714247	1	Sealing strip		(8170452)
26	21122283	1	Timing gear cover		
27	85108423	1	· Crankshaft seal		
28	467367	1	· Plug		
29	469328	1	· Gasket		
30	960632	1	· Plug		
31	948884	1	· Gasket		
32	973096	4	Flange screw		L=130mm
33	947790	2	Flange screw		L=80mm
34	965217	12	Flange screw		L=65mm
35	965183	1	Flange screw		L=90mm
36	8193986	1	Driving device		
				4338	
37		1	· Gear		
38	967344	1	O-ring		
39	946752	1	Flange screw		
40	965190	1	Flange screw		
41	3184837	1	Flange screw		For driving device. Mounted from the opposite side through the fuel pump.
42	948981	1	O-ring		
43	3827079	1	Cardboard tube		
44	965197	4	Flange screw		
45	1556208	1	Cover		
46	948888	1	O-ring		
47	3964803	1	Plug		
48	20555696	1	Sealing ring		
49	946440	2	Flange screw		